

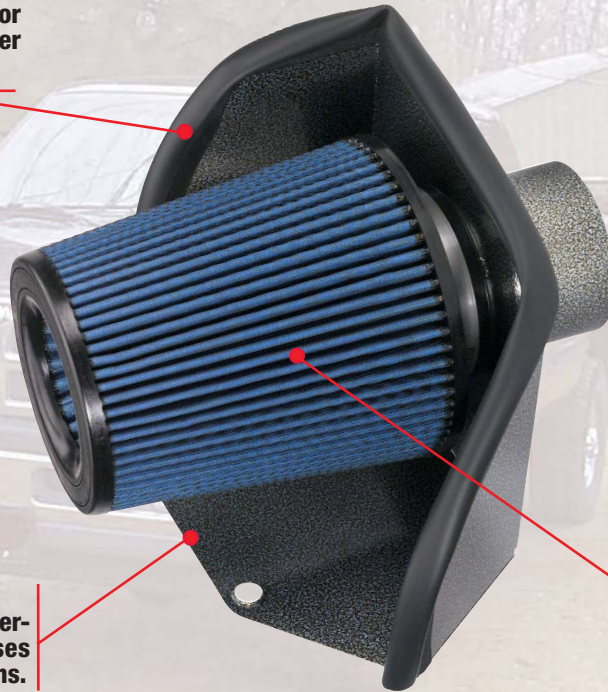


P/N 54-10071/75-10071

'94-'02 Dodge Ram Cummins Stage 1 Cold Air Intake System

150% Increase in CFM over Stock

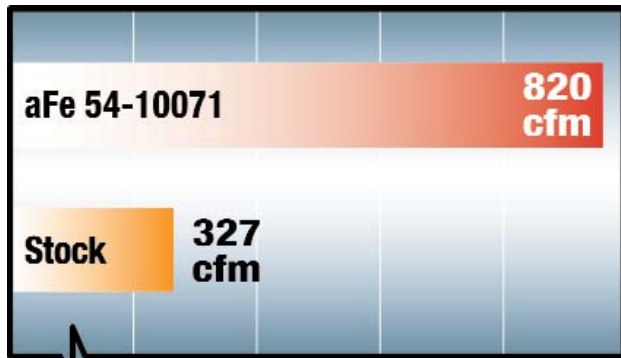
Durable rubber trim seal keeps out engine heat for lower intake air and better performance.



NO DRILLING REQUIRED!
Durable 16 gauge powder-coated housing uses existing mounting locations.

Washable/reusable high flow inverted-top air filter for increased airflow and better performance.

Dodge



0 300 575 850
Airflow Comparison @ 1.5" H₂O

'94-'02 Dodge Ram Cummins Turbo Diesel L6-5.9L (td)

Part Number	54-10071
MSRP	\$272.18
Replacement Filter	24-91002
UPC	80295950056
Box size	18" x 16" x 12"
Shipping weight	13 lbs.
Pro-Guard 7 Part Number	75-10071
MSRP	\$334.68
Replacement Filter	72-90010
UPC	80295975002
Box size	18" x 16" x 12"
Shipping weight	13 lbs.
Pre-Filter	28-10031 Yellow 28-10032 Red 28-10033 Black 28-10034 Blue

Accessories



Restore Kits
90-50001 Blue Aerosol
90-50501 Blue Squeeze



advanced FLOW engineering™

191 Granite St. Corona, CA 92879 • 951-493-7100 • FAX 951-493-7177 • www.aFeFilters.com

40-12126