



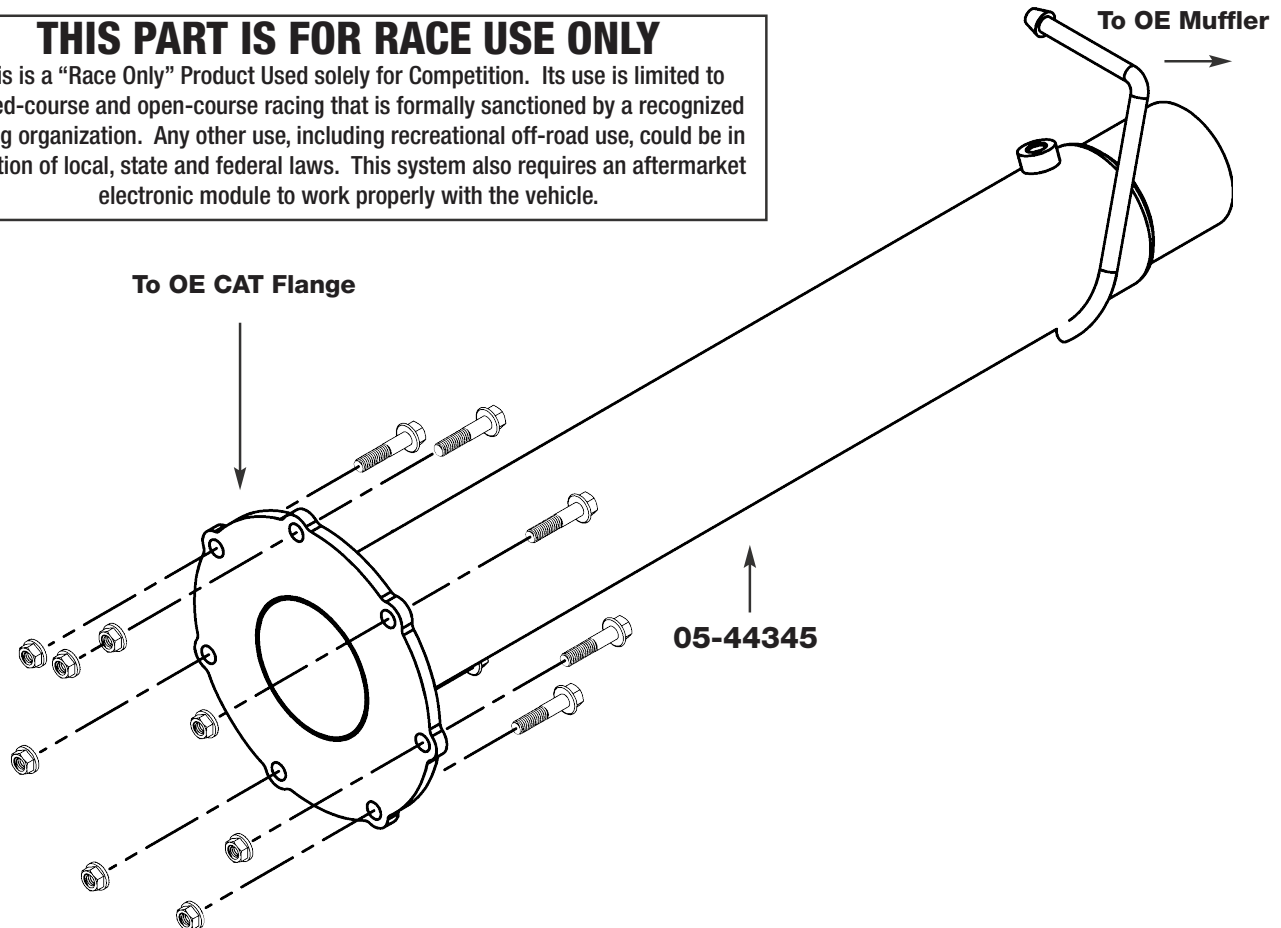
INSTALLATION INSTRUCTIONS

MAKE: FORD
MODEL: POWER STROKE
YEAR: 2008-2009
ENGINE: V8-6.4L (td)
WHEELBASE: 156" to 172"

DPF DELETE RACE PIPE 49-43027 (409SS)

THIS PART IS FOR RACE USE ONLY

This is a "Race Only" Product Used solely for Competition. Its use is limited to closed-course and open-course racing that is formally sanctioned by a recognized racing organization. Any other use, including recreational off-road use, could be in violation of local, state and federal laws. This system also requires an aftermarket electronic module to work properly with the vehicle.



Step 1: (Read Instructions prior to installation) Disconnect sensor at the connection. Take caution as not to damage the sensor. Remove the DPF section of your trucks exhaust working your way forward. Take caution not to damage the factory isolation mounts as they will be reused. The original gasket can be reused or a new one will need to be sourced from your Ford dealer **It is recommended to not fully tighten the clamps until the entire system has been installed.**

Step 2: For ease of installation spread the pieces of the exhaust along side of your vehicle according to the diagram shown above.

Step 3: Attach DPF delete pipe using the supplied nuts and bolts to the OE CAT.

Step 4: Re-install the t/c sensor and connect to harness.

Step 5: Adjust for alignment and tighten all connections. Your installation is now complete. It is recommended to re-tighten all exhaust components after the first 50-100 miles.

NOTE:

- aFe recommends that the tailpipe be at least 1/2"-1" away from any body panels to avoid heat related body damage. **Tighten and secure.**

Caution: Allow time for your vehicle to cool down prior to installation. When working on or under your vehicle proceed with caution. Exhaust systems reach high temperatures and may cause serious burns. Wear protective safety equipment; eye goggles and gloves to ensure a safe installation. **aFe recommends professional installation on our products.**